

KTEX 70-40-6 RECT.FAN (ATEX)

Item no. 1572

Version: 50 Hz

Document type: **Product card**
 Document date: **2013-04-08**
 Generated by: **Systemair Online Catalogue**

Description

- Certified according to ATEX
- Speed controllable
- Integral thermistors (PTC *)
- Maintenance-free and reliable

KTEX fans can be installed in any position and are easy to connect using the DS flexible connections. These fans have impellers with forward-curved blades and external rotor motors. The casing is manufactured from galvanised sheet steel, with a copper inlet cone.

To protect the motor from overheating, these fans have integral thermistors (PTC) with external leads which must be connected to the U-EK230E motor protection relay.

Explosion proof versions comply with EN 50014, EN 50019, EN 1127-1 and EN 13463-1. Improved safety in accordance with EEx e II T3. ex II 2G

* Positive Temperature Coefficient

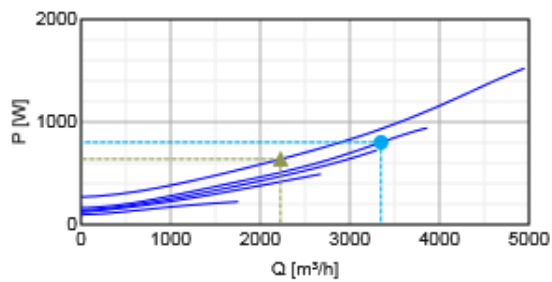
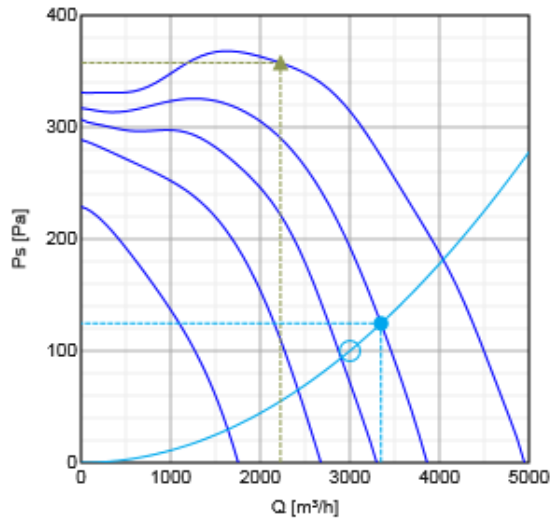


Technical parameters

| Parameter | Value | Unit |
|-------------------------------------|----------------|-------------------|
| Voltage | 400 | V |
| Frequency | 50 | Hz |
| Phase | 3 | ~ |
| Power | 1800 | W |
| Current | 3.7 | A |
| Max. airflow | 4950 | m ³ /h |
| Fan impeller speed | 840 | r.p.m. |
| Temperature range, ambient and duct | -20...+40 | °C |
| Sound pressure level at 3 m | 54.8 | dB(A) |
| Weight | 49.8 | kg |
| Insulation class, motor | F | |
| Enclosure class, motor | 44 | IP |
| Motor protection | U-EK230E | |
| Certificate | SP 04ATEX3111X | |

Performance

Diagrams



Hydraulic data

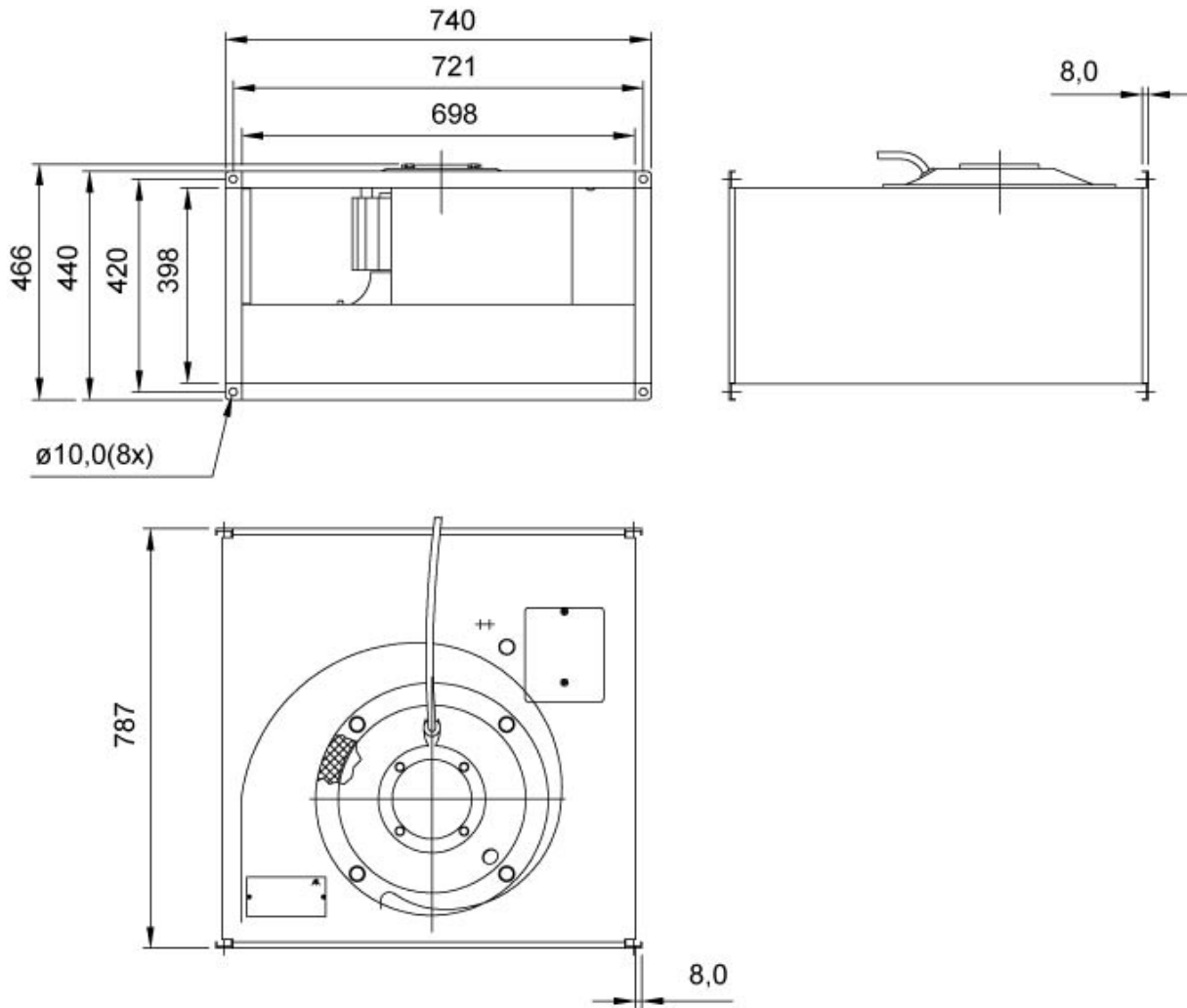
| | Required point | | Working point | | | | | | |
|----------------|----------------|------------|---------------|------------|----------|---------------|----------|------------------|----------|
| | Q [m³/h] | Ps [Pa] | Q [m³/h] | Ps [Pa] | P [W] | n [r.p.m.] | I [A] | SFP [kW/m³/s] | U [V] |
| Max efficiency | | | ▲ 2227 | ▲ 358 | ▲ 639 | 955 | 2.12 | 1.03 | 400 |
| User | ○ 3000 | ○ 100 | ● 3347 | ● 125 | ● 802 | 756 | 2.47 | 0.863 | 230 |

Acoustic data

| Sound power level | | 63 | 125 | 250 | 500 | 1k | 2k | 4k | 8k | Tot |
|-------------------|-------|----|-----|-----|-----|----|----|----|----|-----|
| Inlet | dB(A) | 51 | 59 | 60 | 62 | 64 | 64 | 67 | 62 | 72 |
| Outlet | dB(A) | 52 | 60 | 65 | 72 | 70 | 69 | 72 | 66 | 77 |
| Surrounding | dB(A) | 42 | 54 | 54 | 55 | 55 | 52 | 55 | 50 | 62 |

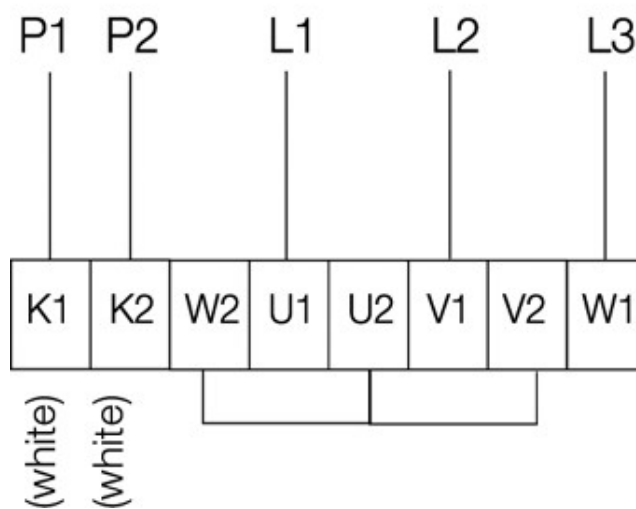
| Sound power level | | 63 | 125 | 250 | 500 | 1k | 2k | 4k | 8k | Tot |
|-------------------|-------|----|-----|-----|-----|----|----|----|----|-----|
| Inlet | dB(A) | 50 | 59 | 62 | 65 | 66 | 67 | 70 | 66 | 74 |
| Outlet | dB(A) | 52 | 60 | 67 | 74 | 72 | 71 | 74 | 70 | 80 |
| Surrounding | dB(A) | 43 | 54 | 56 | 58 | 57 | 55 | 57 | 54 | 64 |

Dimensions



Wiring

400V 3~



Accessories

Electric accessories

- Ex e-Terminal box 1,5/6mm² 32A (2704)
- R-DK4 KT Transformer (302568) (6051)
- RTRD 4 Speed cont. Systemair (5942)
- RTRDU 4 Speed contr. Systemair (5946)

U-EK230E EX Motorprotec. (30199)

Accessories

DS-EX 70-40 Flex. connection (4120)

FFK 70-40 Filter cassette rect (1762)

LDR 70-40 Silencer (5074)